



May 31, 2007

To: Consultants and Contractors Utilizing City of Springfield's Standard Drawing Details for Public Improvements

Re: Revised Standard Drawing Detail SS-4

The following revisions to Standard Drawing Detail SS-4 will become effective on July 1, 2007. We have coordinated with major foundries to have these rings and covers available to local suppliers on or before July 1. These changes will not increase the cost of these products.

1. Drawing SS-4 Type C Ring & Cover shall be replaced with Drawing SS-4-C changing the standard to Deeter #1157 Ring w/ #2018-A Cover, East Jordan Iron Works #2425Z Ring w/ #2408A Cover or equal and incorporating on the cover the design as shown and phrases "Upstream Starts Here" and "Protect Our Waterways".
2. Drawing SS-4 Type A Ring & Cover shall be replaced with Drawing SS-4-A changing the standard to Deeter #1258 Ring & Cover, East Jordan Iron Works #2420Z Ring w/ 2408A Cover, SS-4-C installed flange down or equal and incorporating on the cover the design as shown and phrases "Upstream Starts Here" and "Protect Our Waterways".

Sincerely,

Todd Wagner, P.E.
Principal Storm Water Engineer

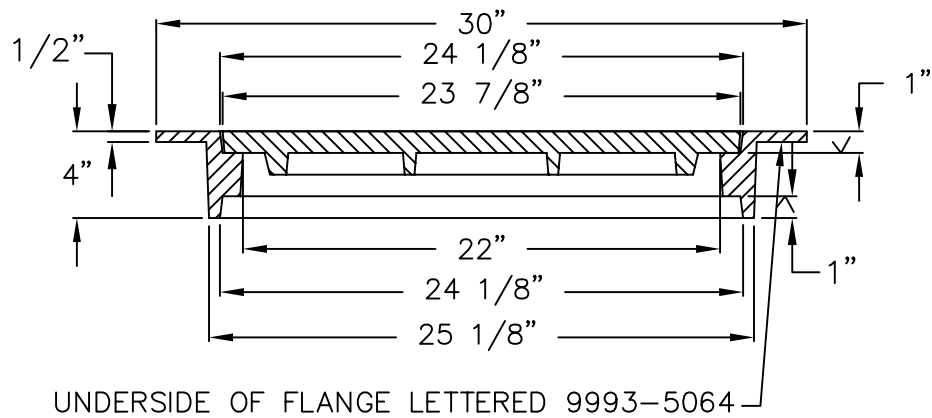
Cc: Posted on Internet as Revision #5 dated May 31, 2007
Marc Thornsberry, Director of Public Works
Harry Price, Assistant Director of Public Works
Mike Giles, Principal Civil Engineer
Steve Meyer, Street Maintenance Superintendent

DEPARTMENT OF PUBLIC WORKS

840 Boonville Avenue, P.O. Box 8368 Springfield, Missouri 65801-8368
phone: (417) 864-1923

homepage: <http://www.springfieldmogov.org> e-mail: city@ci.springfield.mo.us

RING & COVER DETAILS



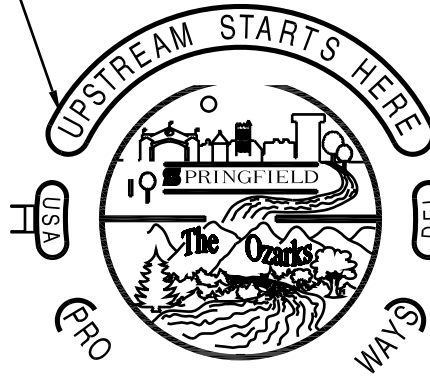
NOTE:

1. FURNISHED WITH MACHINED HORIZONTAL BEARING SURFACE.
2. RING IS REVERSIBLE AND CAN BE INSTALLED WITH FLANGE UP OR DOWN.

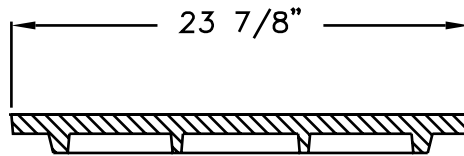
TYPE "C" RING & COVER FOR STORM SEWERS

DEETER # 1157 RING W/ #2018-A COVER, EAST JORDAN
IRON WORKS #2425Z RING W/2408A COVER OR EQUAL

1 1/4" LETTERS



2 CONCEALED PICKS



DEETER # 1258 RING & COVER, EAST JORDAN IRON WORKS #2420Z
RING W/2408A COVER, SS-4-C INSTALLED FLANGE DOWN OR EQUAL