



# REQUEST FOR QUOTATION



**RFQ #047-2010**

**THIS IS NOT AN ORDER**

**R  
E  
T  
U  
R  
N**

**TO:** Scott Menzer, Buyer  
City of Springfield  
Division of Purchases  
218 E. Central  
Springfield, MO 65802

Date Issued: October 27, 2009  
Buyer's Email: smenzer@springfieldmo.gov  
Telephone Number: 417-864-2079  
Fax Number: 417-864-1927  
**DUE DATE: November 13, 2009**

**QUOTATIONS MUST BE PHYSICALLY RECEIVED IN THE DIVISION OF PURCHASES PRIOR TO 3:00 P.M. ON FRIDAY, NOVEMBER 13, 2009.** Quotations will be opened by the Buyer at the location listed above.

- Quotations shall be submitted on the forms provided and must be manually signed.
- Quotations shall be submitted with the RFQ number clearly indicated.
- Quotations and all required documentation may be faxed to Fax #417-864-1927.
- Quotations received after the bid opening date and time shall be rejected.
- The attached Terms and Conditions shall become part of any purchase order resulting from this RFQ.

---

## DESCRIPTION

---

### STEEL TRAFFIC SIGNAL POLE AND ARM

*See attached General Conditions, Specifications, and Quotation Form for detailed information.*

DELIVERY: F.O.B. DESTINATION

*The articles to be furnished hereunder shall be delivered all transportation charges paid by the bidder to destination.*

---

It is the intent of the City that this Request for Quotation promotes competitive bidding. It shall be the Vendor's responsibility to advise the Division of Purchases if any language, requirements, etc. any combination thereof, inadvertently restricts or limits the requirements stated in this Request for Quotation to a single source. Such notification must be submitted in writing and must be received by the Division of Purchases not later than three (3) days prior to the bid opening date.

**CITY OF SPRINGFIELD  
INSTRUCTION TO BIDDERS**

**01. Opening Location**

The Quotations will be opened at the City of Springfield, Division of Purchases, 218 E. Central, Springfield, MO 65802 in the presence of Purchasing officials at the due date and time indicated on the RFQ. All bidders or their representatives are invited to attend the opening of the RFQ.

**02. RFQ Delivery Requirements**

Any Quotations received after the above stated time and date will not be considered. It shall be the sole responsibility of the bidder to have their Quotation delivered to the Division of Purchases for receipt on or before the due date and time indicated. If a Quotation is sent by U.S. Mail, the bidder shall be responsible for its timely delivery to the Division of Purchases office. Quotations delayed by mail shall not be considered, shall not be opened, and shall be rejected. Arrangements may be made for their return at the bidder's request and expense. Quotations may be faxed to the Division of Purchases and accepted if the signed quotation form and required information is faxed and received prior to the due date and time. Quotations sent by email will not be accepted.

**03. Sealed and Marked**

If sent by mail, one original signed Quotation shall be submitted in one sealed package, clearly marked on the outside of the package with the Request for Quotation number and addressed to:

City of Springfield  
Division of Purchases  
218 E. Central  
Springfield, MO 65802

**04. Legal Name and Signature**

Quotations shall clearly indicate the legal name, address, and telephone number of the bidder (company, firm, corporation, partnership, or individual). Quotations shall be manually signed above the printed name and title of signer on the Affidavit of Compliance page. The signer shall have the authority to bind the company to the submitted Quotation. Failure to properly sign the Quote form shall invalidate same, and it shall not be considered for award.

**05. Corrections**

No erasures are permitted. If a correction is necessary, draw a single line through the entered figure and enter the corrected figure above it. Corrections must be initialed by the person signing the Quotation.

**06. Clarification and Addenda**

Each bidder shall examine all Request for Quotation documents and shall judge all matters relating to the adequacy and accuracy of such documents. Any inquiries or suggestions, concerning interpretation, clarification, or additional information pertaining to the Request for Quotation shall be made through the Division of Purchases in writing or through email. The Division of Purchases shall not be responsible for oral interpretations given by any City employee, representative, or others. The issuance of written addenda is the official method whereby interpretation, clarification, or additional information can be given.

It shall be the responsibility of each bidder, prior to submitting their Quotation, to contact the Division of Purchases at phone number 417-864-1620, or to check the Purchasing website to determine if addenda were issued and to make such addenda a part of their Quotation at: [www.springfieldmo.gov/egov/finance/bid\\_center.html](http://www.springfieldmo.gov/egov/finance/bid_center.html)

**07. RFQ Expenses**

All expenses for making Quotations to the City are to be borne by the bidder.

**08. Irrevocable Offer**

Any Quotation may be withdrawn up until the due date and time set for opening of the RFQ. Any Quotation not so withdrawn shall, upon opening, constitute an irrevocable offer for a minimum period of 90 days to sell to the City the goods or services set forth in the RFQ, until one or more of the Quotations have been duly accepted by the City.

**09. Responsive and Responsible Bidder**

To be responsive, a bidder shall submit a Quotation which conforms in all material respects to the requirements set forth in the Request for Quotation. To be a responsible bidder, the bidder shall have the capability in all respects to perform fully the contract requirements, and the tenacity, perseverance, experience, integrity, reliability, capacity, facilities, equipment and credit which will ensure good faith performance. The lowest responsible bidder shall mean the bidder who makes the lowest Quotation to sell goods or services of a quality which conforms closest to the quality of goods or services set forth in the specifications or otherwise required by the City and who is known to be fit and capable to perform the Quotation as made.

**10. Reserved Rights**

The City reserves the right to make such investigations as it deems necessary to make the determination of the bidder's responsiveness and responsibility. Such information may include, but shall not be limited to: current financial statement, verification of availability of equipment and personnel, and past performance records.

### **11. The Right to Audit**

The bidder agrees to furnish supporting detail as may be required by the City to support charges or invoices, to make available for audit purposes all records covering charges pertinent to the purchase, and to make appropriate adjustments in the event discrepancies are found. The cost of any audit will be paid by the City. The City shall have the right to audit the bidder's records pertaining to the work/product for a period of three (3) years after final payment.

### **12. Applicable Law**

All applicable laws and regulations of the State of Missouri and the City including the City Procurement Regulations and Procedures will apply to any resulting agreement, contract, or purchase order. Any involvement with the City Procurement shall be in accordance with the Procurement Regulations and Procedures.

### **13. Right to Protest**

Appeals and remedies are provided for in the City Procurement Regulations. Protestors shall seek resolution of their complaints initially with the City Purchasing Agent.

Any protest shall state the basis upon which the solicitation or award is contested and shall be submitted within ten (10) calendar days after such aggrieved person knew or could have reasonably been expected to know of the facts giving rise thereto.

### **14. Ethical Standards**

With respect to this RFQ, if any bidder violates or is a party to a violation of the general ethical standards of the City Procurement Code or the State of Missouri Statutes, such bidder may be disqualified from furnishing the goods or services for which the Quotation is submitted and shall be further disqualified from submitting any future Quotations. A copy of the City's General Ethical Standards is available at the Division of Purchases.

### **15. Collusion**

By offering a submission to this Request for Quotation, the bidder certifies the bidder has not divulged, discussed, or compared the Quotation with other bidders and has not colluded with any other bidder or parties to this RFQ whatsoever. Also, the bidder certifies, and in the case of a joint Quotation, each party thereto certifies as to their own organization, that in connection with this RFQ:

- a. Any prices and/or cost data submitted have been arrived at independently, without consultation, communication, or agreement for the purpose of restricting competition, as to any matter relating to such prices and/or cost data, with any other bidder or with any competitor.
- b. Any prices and/or cost data for this Quotation have not knowingly been disclosed by the bidder and will not knowingly be disclosed by the bidder prior to the scheduled opening directly or indirectly to any other bidder or to any competitor.
- c. No attempt has been made or will be made by the bidder to induce any other person or firm to submit or not to submit a Quotation for the purpose of restricting competition.
- d. The only person or persons interested in this Quotation, principal or principals are named therein and that no person other than therein mentioned has any interest in this Quotation or in the contract to be entered into.
- e. No person or agency has been employed or retained to solicit or secure this contract upon an agreement or understanding for a commission, percentage, brokerage, or contingent fee exempting bona fide employees or established commercial agencies maintained by the Purchaser for the purpose of doing business.

### **16. Contract Forms**

Any agreement, contract, or purchase order resulting from the acceptance of a Quotation shall be on forms either supplied by or approved by the City.

### **17. Liability and Indemnity**

- a. In no event shall the City be liable to the Contractor for special, indirect, or consequential damages, except those caused by the City's gross negligence or willful or wanton misconduct arising out of or in any way connected with a breach of this contract. The maximum liability of the City shall be limited to the amount of money to be paid or received by the City under this contract.
- b. The Contractor shall defend, indemnify and save harmless the City, its elected or appointed officials, agents and employees from and against any and all liability, suits, damages, costs (including attorney fees), losses, outlays and expenses from claims in any manner caused by, or allegedly caused by, or arising out of, or connected with, this contract, or the work or any subcontract thereunder (the Contractor hereby assuming full responsibility for relations with subcontractors), including, but not limited to, claims for personal injuries, death, property damage, or for damages from the award of this contract to Contractor.
- c. The Contractor shall indemnify and hold the City harmless from all wages or overtime compensation due any employees in rendering services pursuant to this agreement or any subcontract, including payment of reasonable attorneys' fees and costs in the defense of any claim made under the Fair Labor Standards Act, the Missouri Prevailing Wage Law or any other federal or state law.

### **18. RFQ Forms, Variances, Alternates**

Quotations must be submitted on attached City RFQ forms, although additional information may be attached. Bidders must indicate any variances from the City requested specifications and/or terms and conditions, on the RFQ Affidavit of Compliance. Otherwise, bidders must fully comply with the City requested specifications and terms and conditions. Alternate Quotations may or may not be considered at the sole discretion of the City Purchasing Agent.

**19. Quotation Form**

All blank spaces must be completed with the appropriate response. The bidder must state the price, written in ink, for what is proposed to complete each item of the project. Bidders shall insert the words "no bid" in the space provided for an item for which no Quotation is made. The bidder shall submit an executed quotation form, affidavit of compliance with other requested documents.

**20. Modifications or Withdrawal of Quotation**

A modification for a Quotation already received will be considered only if the modification is received prior to the time announced for opening of Quotations. All modifications shall be made in writing, executed, and submitted on the same form and manner as the original Quotation. Modifications submitted by telephone or email will not be considered.

**21. No Bid**

If not submitting a Quotation, respond by returning the "Statement of No Bid" no later than the stated Quotation opening time and date, and explain the reason in the space provided.

**22. Errors in Quotations**

Bidders or their authorized representatives are expected to fully inform themselves as to the conditions, requirements, and specifications before submitting Quotations; failure to do so will be at the bidder's own risk. Neither law nor regulations make allowance for errors either of omission or commission on the part of bidders. In case of error of extension of prices in the Quotation, the unit price shall govern.

**23. Prices Quoted**

Give both unit price and extended total. Price must be stated in units of quantity specified in the bidding specifications. In case of discrepancy in computing the amount of the Quotation, the unit price of the Quote will govern. All prices shall be F.O.B. destination, freight prepaid (unless otherwise stated in special conditions). Each item must be bid separately and no attempt is to be made to tie any item or items in with any other item or items. If a bidder offers a discount on payment terms, the discount time will be computed from the date of satisfactory delivery at place of acceptance and receipt of correct invoice at the office specified. Payment terms shall be Net 30 if not otherwise specified. Pre-payment terms are not acceptable.

**24. Discounts**

Any and all discounts except cash discounts for prompt payments must be incorporated as a reduction in the Quotation price and not shown separately. The price as shown on the Quotation shall be the price used in determining award(s).

**25. Descriptive Information**

All equipment, materials, and articles incorporated in the product/work covered by this RFQ are to be new and of suitable grade for the purpose intended. Brand or trade names referenced in specifications are for comparison purposes only. Bidders may submit Quotations on items manufactured by other than the manufacturer specified when an "or equal" is stated.

**26. Deviations to Specifications and Requirements**

When bidding on an "or equal," quotations must be accompanied with all descriptive information necessary for an evaluation of the proposed material or equipment such as the detailed drawings and specifications, certified operation and test data, and experience records. Failure of any bidder to furnish the data necessary to determine whether the product is equivalent, may be cause for rejection of the specific item(s) to which it pertains. All deviations from the specifications must be noted in detail by the bidder on the Affidavit of Compliance form, at the time of submittal of Quotation. The absence of listed deviations at the time of submittal of the Quotation will hold the bidder strictly accountable to the specifications as written. Any deviation from the specifications as written and accepted by the City may be grounds for rejection of the material and/or equipment when delivered.

**27. Samples (if required)**

For certain types of procurements, samples may be required. If samples are required, it will be stated in the RFQ. The following conditions and requirements apply to all samples submitted.

- a. The samples submitted by bidders on items for which they have received an award may be retained by the City until the delivery of contracted items is completed and accepted. Bidders whose samples are retained may remove them after delivery is accepted.
- b. Samples not retained must be removed as soon as possible after award has been made on the item or items for which the samples have been submitted. The City will not be responsible for such samples not removed by the bidder within 30 days after the award has been made. The City reserves the right to consume any or all samples for testing purposes.
- c. Bidders shall make all arrangements for delivery of samples to place designated as well as the removal of samples. Cost of delivery and removal of samples shall be borne by the bidder.
- d. All samples packages shall be marked "Sample for Division of Purchases" and each sample shall bear the name of the bidder, item number, Quotation number, and shall be carefully tagged or marked in a substantial manner. Failure of the bidder to clearly identify samples as indicated may be considered sufficient reason for rejection of Quotation.

**28. Quality Guaranty**

If any product delivered does not meet applicable specifications or if the product will not produce the effect that the bidder represents to the City, the bidder shall pick up the product from the City at no expense. Also, the bidder shall refund to the City any money which has been paid for same. The bidder will be responsible for attorney fees in the event the bidder defaults and court action is required.

**29. Quality Terms**

The City reserves the right to reject any or all materials if, in its judgment, the item reflects unsatisfactory workmanship, manufacturing, or shipping damages.

### **30. Tax-Exempt**

The City is exempt from sales taxes and Federal Excise Taxes: Missouri Tax ID Number 12493651.

### **31. Awards**

- a. Unless otherwise stated in the Request for Quotation, cash discounts for prompt payment of invoices will not be considered in the evaluation of prices. However, such discounts are encouraged to motivate prompt payment.
- b. As the best interest of the City may require, the right is reserved to make awards by item, group of items, all or none, or a combination thereof; to reject any and all Quotations or waive any minor irregularity or technicality in Quotations received.
- c. Award(s) will be made to the Bidder whose Quotation (1) meets the specifications and all other requirements of the Request for Quotation and (2) is the lowest and best Quotation, considering price, delivery, responsibility of the bidder, and all other relevant factors.

### **32. Authorized Product Representation**

The successful bidder(s) by virtue of submitting the name and specifications of a manufacturer's product will be required to furnish the named manufacturer's product. By virtue of submission of the stated documents, it will be presumed by the City that the bidder(s) is legally authorized to submit and the successful bidder(s) will be legally bound to perform according to the documents.

### **33. Regulations**

It shall be the responsibility of each bidder to assure compliance with OSHA, EPA, Federal, State of Missouri, and City rules, regulations, or other requirements, as each may apply.

### **34. Termination of Award**

Any failure of the bidder to satisfy the requirements of the City shall be reason for termination of the award. Any Quotation may be rejected in whole or in part for good cause when in the best interest of the City.

### **35. Royalties and Patents**

The successful bidder(s) shall pay all royalties and license fees for equipment or processes in conjunction with the equipment being furnished. Bidder shall defend all suits or claims for infringement of any patent right and shall hold the City harmless from loss on account or cost and attorney's fees incurred.

### **36. Equal Employment Opportunity Clause**

The City of Springfield, in accordance with the provision of Title VI of the Civil Rights Act of 1964 (78 Stat. 252) and the Regulations of the Department of Commerce (15 CFR, Part 8) issued pursuant to such Act, hereby notifies all bidders that affirmatively ensure that in any contract entered into pursuant to this advertisement that minority businesses will be afforded full opportunity to submit Quotations in response to this advertisement and will not be discriminated against on the grounds of race, color, or national origin in consideration for award.

### **37. Quotation Tabulation**

Bidders may request a copy of the bid tabulation of the Request for Quotation.

### **38. Budgetary Constraints**

The City reserves the right to reduce or increase the quantity, retract any item from the Quotation, or upon notification, terminate entire agreement without any obligations or penalty based upon availability of funds.

### **39. Additional Purchases by Other Public Agencies**

The bidder by submitting a Quotation authorizes other public agencies to "Piggy-Back" or purchase equipment and services being proposed in this Request for Quotation unless otherwise noted on the Affidavit of Compliance Form.

### **40. Order of Precedence**

Any and all Special/General Conditions and Specifications attached hereto, which varies from the instruction to bidders, shall take precedence.

### **41. Affidavit for Service Contracts**

The Bidder represents, in accordance with RSMO 285.530.2 that they have not employed, or subcontracted with, unauthorized aliens in connection with the scope of work to be done under the RFQ and agrees to provide an affidavit to the City of Springfield affirming that they have not, and will not in connection with the RFQ, knowingly employ, or subcontract with, any person who is an unauthorized alien.

### **42. Inspection and Acceptance**

No item(s) received by the City pursuant to this contract shall be deemed accepted until the City has had reasonable opportunity to inspect the item(s). Any item(s) which are discovered to be defective or which do not conform to any warranty of the Seller upon inspection, may be returned at the seller's expense for full credit or replacement. If at a later time, the defects were not ascertainable upon the initial inspection may also be returned at the Seller's expense for full credit or replacement. The City's return of defective items shall not exclude any other legal, equitable or contractual remedies the City may have.

**CITY OF SPRINGFIELD  
GENERAL TERMS AND CONDITIONS  
RFQ #047-2010**

**1. Modifications**

The scope of work to be done shall be subject to modification and supplementation upon the written agreement of the duly authorized representatives of the contracting parties. No provision shall be changed or modified without the execution of a formal Change Order, mutually agreed to by the City and the Contractor and processed through the Division of Purchases.

**2. New Products**

All Items offered under this Request for Quotation shall be **new** and manufactured by a company whose primary business is the manufacture of the type product requested.

**3. Termination of Contract**

**A. For Breach:** If, through any cause, the Contractor shall fail to fulfill in a timely and proper manner Contractor's obligations under this contract, or if the Contractor shall violate any of the covenants, agreements, or stipulations of this contract, the City shall thereupon have the right to terminate this contract by giving written notice to the Contractor of such termination and specifying the effective date thereof, at least five (5) days before the effective day of such termination.

**B. For Convenience:** The City shall have the right at any time upon 30 days written notice to Contractor to terminate and cancel this contract, without cause, for the convenience of the City, and Contractor shall immediately stop work.

**In either such event, all finished or unfinished documents, data, studies, reports, or other materials prepared by the Contractor shall, at the option of the City become its property.** The Contractor shall be entitled to receive just and equitable compensation for any satisfactory work completed prior to termination of the contract. Notwithstanding the above, the Contractor shall not be relieved of liability to the City for damages sustained by the City by virtue of any such breach of the contract by the Contractor.

**4. Conflicts**

**A.** Contractor covenants that it presently has no interest and shall not acquire any interest, direct or indirect, which would conflict in any manner or degree with the performance of services to be performed under this contract. The Contractor further covenants that in the performance of this contract no person having such interest shall be employed.

**B.** No salaried officer or employee of the City and no member of the City Council shall have a financial interest, direct or indirect, in this contract. A violation of this provision renders the contract void. Any federal regulations and applicable provisions in Section 105.450 et seq. RSMo. shall not be violated.

## **5. Assignment**

The Contractor shall not assign or transfer any interest in this contract (whether by assignment or novation), and shall not substitute any specific individuals and/or personnel qualifications without prior written consent of the City thereto. Provided, however, that claims for money due or to become due to the Contractor from the City under this contract may be assigned to a bank, trust company, or other financial institution without such approval. Notice of such assignment or transfer shall be furnished in writing promptly to the City. Any such assignment is expressly subject to all rights and remedies of the City under this agreement, including the right to change or delete activities from the contract or to terminate the same as provided herein, and no such assignment shall require the City to give any notice to any such assignee of any actions which the City may take under this agreement, though City will attempt to so notify any such assignee.

## **6. Jurisdiction**

This agreement and every question arising hereunder shall be construed or determined according to the laws of the State of Missouri. Should any part of this agreement be adjudicated, venue shall be proper only in the Circuit Court of Greene County, Missouri.

**CITY OF SPRINGFIELD**  
**Request for Quotation #047-2010**  
**SPECIFICATIONS**

**1. Steel Posts and Mast Arms**

Steel posts and mast arms shall be continuously tapered, hollow shafts fabricated as one continuous shaft or as individual segments at least 10 feet (3 m) long, joined together using electrically welded, intermediate, transverse, full penetration, circumferential joints. Steel posts and mast arms shall be fabricated from basic oxygen or open-hearth steel sheet. **The continuous, tapered, round** hollow shafts or individual segments shall be manufactured from one or two lengths of steel sheet, with one or two continuous, welded, longitudinal seams. The longitudinal seams in the mast arm shall be located outside of the upper half of the cross section of the member. Where transverse, full penetration, circumferential welds are used, the fabricator shall furnish to the City, written certification that 100 percent of all such welds have been radiographed or ultrasonic tested by an independent testing agency using a qualified non-destructive testing technician, as described in Section 6.14.7 of ANSI/AWS D1.1 Structural Welding Code-Steel and equipment calibrated annually. The testing agency shall be approved by the City prior to fabrication. Post base and mast arm attachment plates shall be plate steel attached to the larger end of the shafts by continuous welds on the inside and outside of the shaft. After manufacture, the material shall have minimum yield strength of 48,000 psi (330 MPa).

**2. The posts will have the same bolt circle for 25 foot to 40 foot mast arms**

A handhole equipped with a suitable metal cover shall be provided in the post near the base, and 12 inches (300 mm) above the mast arm connection if luminaire mounting is specified. A grounding lug or connector shall be provided inside the post near the handhole. A removable rain-tight metal pole cap shall be provided on the top of the post and on the small end of each mast arm. All handhole covers and metal caps shall be securely attached to the post or arm with a galvanized steel chain and shall be held in place by screws. The chain shall be attached to the inside of the post or arm and shall be of sufficient length to allow maintenance access. An aluminum or stainless steel identification tag shall be provided with all posts and mast arms as shown on the plans. The letters and numbers on the tag shall be embossed or engraved. The post tag shall be attached to the pole 6 inches (150 mm) above the top of the handhole. The mast arm tag shall be attached 3 inches (75 mm) from the base of the end cap. The base plate shall be equipped with four cast steel or cast iron nut covers in accordance with AASHTO M 103 or M 105, or four aluminum nut covers and shall have four galvanized or stainless steel screws for securing covers to the pole. All poles, shoe bases, base plates and cast steel or cast iron nut covers shall be fully galvanized after fabrication. All anchor bolt nuts shall be completely covered by nut covers. Luminaire bracket arms, when specified, shall be included with the post and mast arm. The contractor may furnish posts with the shape, gage and dimensions meeting or exceeding those required by the plans and specifications, provided shop drawings are submitted and approved.

**3.** Welding and fabrication of the assemblies shall be in accordance with the ANSI/AWS D1.1 Structural Welding Code-Steel. All requirements of the welding code for tubular structures will apply to the fabrication for the post and mast arm shafts and shall include any welds used to attach these members to plates or other hardware. The manufacturer shall employ qualified personnel to perform all visual and nondestructive testing (NDT) required. In addition to the visual inspections and NDT that may otherwise be required by the welding code, the manufacturer shall perform 100 percent magnetic particle (MT) testing of circumferential fillet welds used to attach the flange plate to the larger end of the mast arm shaft. NDT personnel shall be qualified as set forth in paragraph 6.14.7 of ANSI/AWS D1.1 Structural Welding Code-Steel. Qualifications of NDT personnel shall be submitted to the City for approval.

**4.** The post and mast arm manufacturer shall be certified under the AISC certification program, Conventional Steel Building, or higher category. Evidence of current AISC certification will be required prior to the approval of shop drawings, and lapsing of the certification will be cause for non-approval of the manufacturer.

**5.** Steel posts, luminaire bracket arms, mast arms, nut covers and plate steel bases shall be hot-dip galvanized inside and out after fabrication, visual inspections and NDT testing. Galvanized material shall be handled in such a manner to

avoid damage to the surface. Any galvanized material on which the coating has been damaged will be rejected or may, with approval from the City, be repaired accordingly.

#### **6. Fabricator's Certification**

Prior to erection of the posts and mast arms, the contractor shall furnish to the City a fabricator's certification. The certification shall specifically state the fabricated posts and mast arms have been quality control inspected by the fabricator and all material and manufacturing processes used were in full compliance with the specification requirements and the approved shop drawings and weld procedures. Certification shall be accompanied by supporting documentation, including the results of the visual inspections and NDT in accordance with **Sec 1.3** and copies of the pre-approved shop drawings.

#### **7. Core Protection, Surface Preparation and Hot Dip Galvanizing**

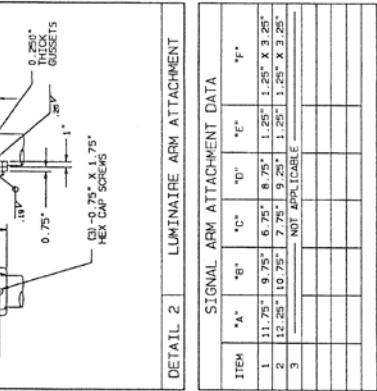
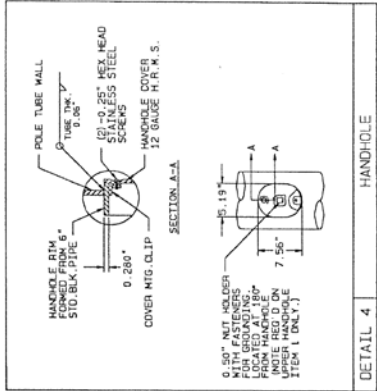
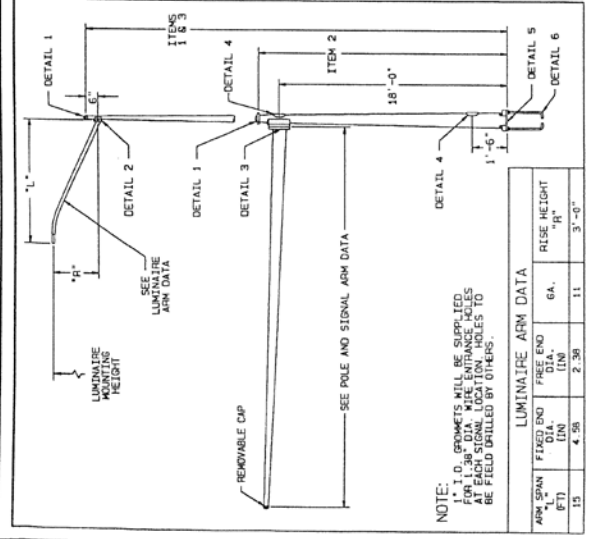
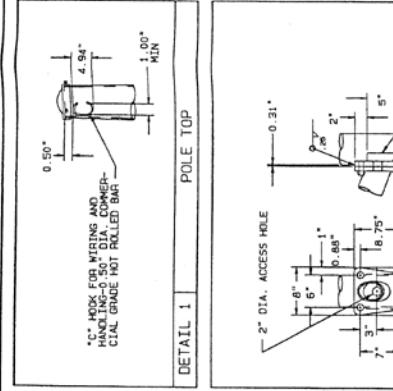
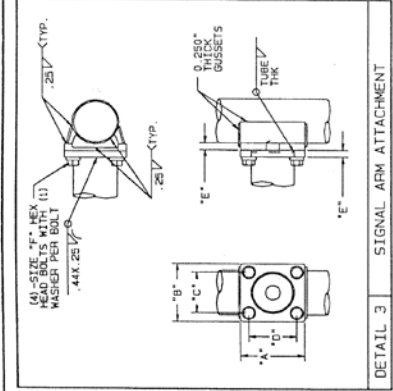
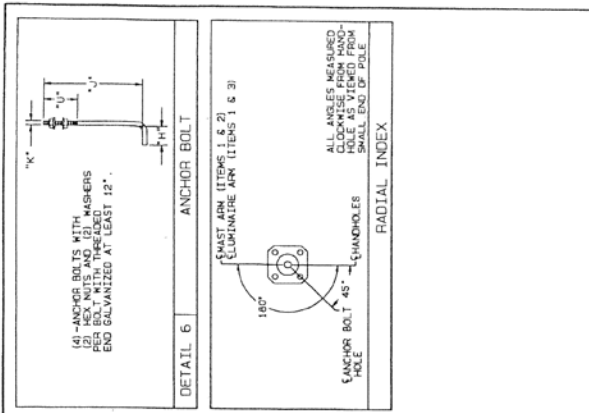
The fabricated steel product surfaces are prepared per ASTM A123 requirements and hot-dip galvanized under these requirements by immersion in a molten bath of prime western grade zinc maintained at 840°F. Flux ash is skimmed from the bath surface prior to immersion and extraction of the product to assure a debris free zinc coating.

#### **8. Resilient Coat, Intermediate Coat**

All galvanized exterior surfaces visually exposed are coated with technology advanced chip resistive epoxy resin primer to a minimum dry film thickness (DFT) of 3.0 with the minimum DFT of 6.0 mils applied to the lower Eight (8) feet of the pole. Prior to application, the surfaces to be coated are mechanically etched by brush blasting and degassed via preheating for a minimum of one (1) hour in a gas-fired convection oven. The technology advanced epoxy resin is applied via electrostatic spray equipment. Intermediate coat must be energy absorptive, chip resistant and capable of achieving a rating of 10A under testing per ASTM Procedure D3170 which is based on the SAE J400 test.

#### **9. Level I – Top Coat, Super Durable Polyester Top Coat**

The Intermediate coated surfaces are coated with a TGIC Super Durable Polyester topcoat to a minimum dry film thickness of 3.0 mils via electrostatic spray equipment.



NOTE: 1\"/>

LUMINAIRE ARM DATA			
ARM SWAY	FIXED END DIA. (IN)	GA.	RISE HEIGHT (FT)
15	4.38	2.36	11 3'-0"

MATERIAL DATA			
COMPONENT	ASTM DESIGNATION	MIN. YIELD (KSI)	MIN. TENSILE (KSI)
POLE TUBE	A515 GR. A	55	65
ARM TUBE	A515 GR. A	55	65
GALVANIZING - HARDWARE	A153	A329*	36
ANCHOR BOLTS	F1554 GR. 55		

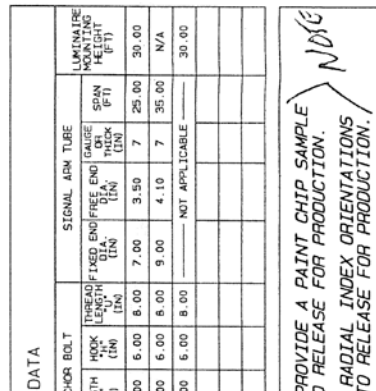
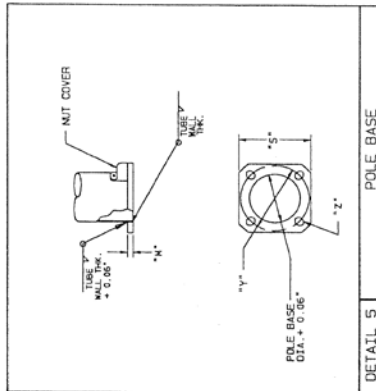
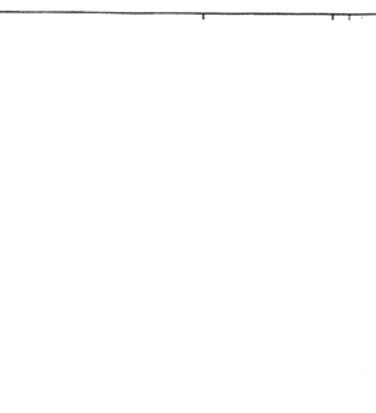
\* LUBRICATE IN FIELD IF NECESSARY.

DETAIL 4: HANDHOLE

SIGNAL ARM ATTACHMENT DATA						
ITEM	"A"	"B"	"C"	"D"	"E"	"F"
1	11.75"	9.75"	6.75"	8.75"	1.25"	X 3.25"
2	12.25"	10.75"	7.75"	9.25"	1.25"	X 3.25"
3	NOT APPLICABLE					

DETAIL 5: POLE BASE

POLE AND SIGNAL ARM DATA														
ITEM	POLE TUBE		POLE BASE		SIGNAL ARM TUBE		LUMINAIRE MOUNTING HEIGHT (FT)							
	BASE DIA. (IN)	LENGTH (FT)	BOLT DIA. (IN)	SQUARE HOLE THK (IN)	THREAD LENGTH (IN)	HOOK DIA. (IN)		FIXED END DIA. (IN)	FREE END DIA. (IN)	GAUGE THICK (IN)	RSN THICK (IN)			
1	11.00	7.15	27.50	7	16.50	15.00	1.50	1.50	54.00	6.00	8.00	7	25.00	30.00
2	12.00	9.06	21.00	7	17.00	16.00	1.50	1.75	54.00	6.00	8.00	7	35.00	N/A
3	11.00	7.15	27.50	7	16.50	15.00	1.50	1.75	54.00	6.00	8.00		NOT APPLICABLE	30.00



NOTE: 1\"/>

LUMINAIRE ARM DATA			
ARM SWAY	FIXED END DIA. (IN)	GA.	RISE HEIGHT (FT)
15	4.38	2.36	11 3'-0"

MATERIAL DATA			
COMPONENT	ASTM DESIGNATION	MIN. YIELD (KSI)	MIN. TENSILE (KSI)
POLE TUBE	A515 GR. A	55	65
ARM TUBE	A515 GR. A	55	65
GALVANIZING - HARDWARE	A153	A329*	36
ANCHOR BOLTS	F1554 GR. 55		

\* LUBRICATE IN FIELD IF NECESSARY.

DETAIL 4: HANDHOLE

SIGNAL ARM ATTACHMENT DATA						
ITEM	"A"	"B"	"C"	"D"	"E"	"F"
1	11.75"	9.75"	6.75"	8.75"	1.25"	X 3.25"
2	12.25"	10.75"	7.75"	9.25"	1.25"	X 3.25"
3	NOT APPLICABLE					

DETAIL 5: POLE BASE

POLE AND SIGNAL ARM DATA														
ITEM	POLE TUBE		POLE BASE		SIGNAL ARM TUBE		LUMINAIRE MOUNTING HEIGHT (FT)							
	BASE DIA. (IN)	LENGTH (FT)	BOLT DIA. (IN)	SQUARE HOLE THK (IN)	THREAD LENGTH (IN)	HOOK DIA. (IN)		FIXED END DIA. (IN)	FREE END DIA. (IN)	GAUGE THICK (IN)	RSN THICK (IN)			
1	11.00	7.15	27.50	7	16.50	15.00	1.50	1.50	54.00	6.00	8.00	7	25.00	30.00
2	12.00	9.06	21.00	7	17.00	16.00	1.50	1.75	54.00	6.00	8.00	7	35.00	N/A
3	11.00	7.15	27.50	7	16.50	15.00	1.50	1.75	54.00	6.00	8.00		NOT APPLICABLE	30.00

FINISH NOTES:  
 FINISH COAT: TGIC OR URETHANE COLOR RAINFOREST GREEN WALKMONT SPEC. F2647

\*\*\*PLEASE PROVIDE A PAINT CHIP SAMPLE PRIOR TO RELEASE FOR PRODUCTION.\*\*\*  
 \*\*\*VERIFY RADIAL INDEX ORIENTATIONS PRIOR TO RELEASE FOR PRODUCTION.\*\*\*

NOTE

NOTE

**CITY OF SPRINGFIELD  
 QUOTATION FORM – PROPOSAL  
 RFQ #047-2010**

SUBMITTED BY \_\_\_\_\_  
 Company Name

Pursuant to and in accordance with the above stated Request for Quotation, the undersigned hereby declares that they have examined the RFQ documents and specifications for the item(s) listed below. The undersigned proposes and agrees, if their Bid is accepted to furnish the item(s) submitted below, including delivery to Springfield, Missouri in accordance with the delivery schedule indicated below and according to the prices products/services information submitted.

ITEM	QTY	DESCRIPTION	UNIT PRICE	EXTENDED AMOUNT
1.	1 EA	<p><b>25 foot mastarm with combination pole and 15 foot Luminare.</b> Mounting height is 30 feet. Pole is required to be core protected, plus resilient coat with level 1 super durable polyester top coat in rain forest green color. See attached specifications for additional requirements.</p> <p>Mfg. Valmont</p> <p>Mfg: _____ Model No. _____</p> <p>Delivery: _____ days after receipt.</p> <p>SHALL WARRANTY THE ABOVE EQUIPMENT FOR PARTS, LABOR, AND TRAVEL FOR _____</p>	<p>\$ _____</p> <p>Per Each</p>	<p>\$ _____</p>

DELIVERY: F.O.B. DESTINATION

Prompt Payment Discount \_\_\_\_\_ % \_\_\_\_\_ Days, Net \_\_\_\_\_ Days



**CITY OF SPRINGFIELD  
STATEMENT OF "NO QUOTATION"  
RFQ #047-2010**

**RETURN THIS PAGE ONLY IF YOUR COMPANY PROVIDES THE PRODUCTS/SERVICES BEING BID AND DECLINES**

**TO DO SO.**

WE, THE UNDERSIGNED, HAVE DECLINED TO QUOTE ON YOUR RFQ #000-2010 FOR STEEL TRAFFIC SIGNAL POLE AND ARM FOR THE FOLLOWING REASON(S):

\_\_\_\_\_ SPECIFICATIONS ARE TOO "TIGHT," I.E. GEARED TOWARD ONE BRAND OR MANUFACTURER ONLY  
(PLEASE EXPLAIN BELOW).

\_\_\_\_\_ INSUFFICIENT TIME TO RESPOND TO REQUEST FOR QUOTATION.

\_\_\_\_\_ OUR PRODUCT SCHEDULE WOULD NOT PERMIT US TO PERFORM.

\_\_\_\_\_ UNABLE TO MEET SPECIFICATIONS.

\_\_\_\_\_ UNABLE TO MEET INSURANCE REQUIREMENTS.

\_\_\_\_\_ SPECIFICATIONS UNCLEAR (PLEASE EXPLAIN BELOW).

\_\_\_\_\_ OTHER (PLEASE SPECIFY BELOW).

REMARKS: \_\_\_\_\_  
\_\_\_\_\_  
\_\_\_\_\_  
\_\_\_\_\_

COMPANY NAME: \_\_\_\_\_

ADDRESS: \_\_\_\_\_

SIGNATURE AND TITLE: \_\_\_\_\_

TELEPHONE NUMBER: \_\_\_\_\_

DATE: \_\_\_\_\_