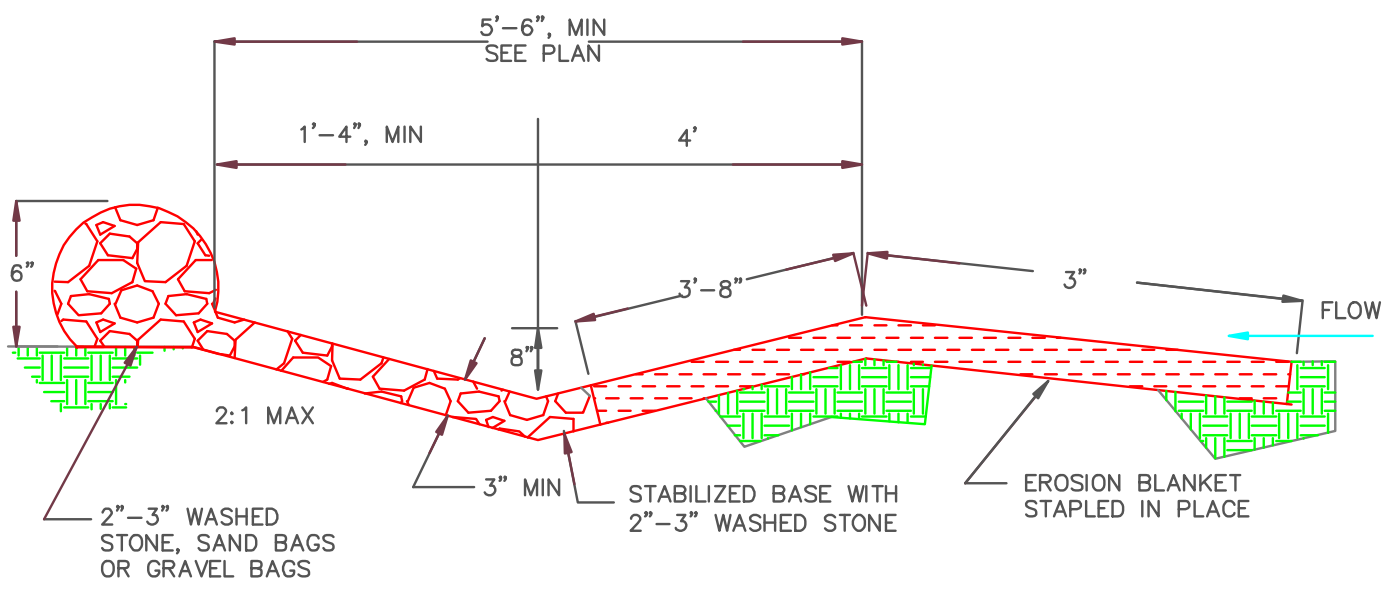


**RIGID LIP WITH TIMBER**  
(DESIGN FLOWS 5 C.F.S. TO 20 C.F.S.)



**VEGETATED LIP**  
(DESIGN FLOW LESS THAN 5 C.F.S.)

Modified from Chesterfield, Missouri Model BMPs for Land Disturbance

NTS

City of Springfield, Missouri



Department of Public Works  
Storm Water Services Division

***LEVEL SPREADERS***

Figure: RM-8.2  
Issued: 10-01-2008  
Revised: