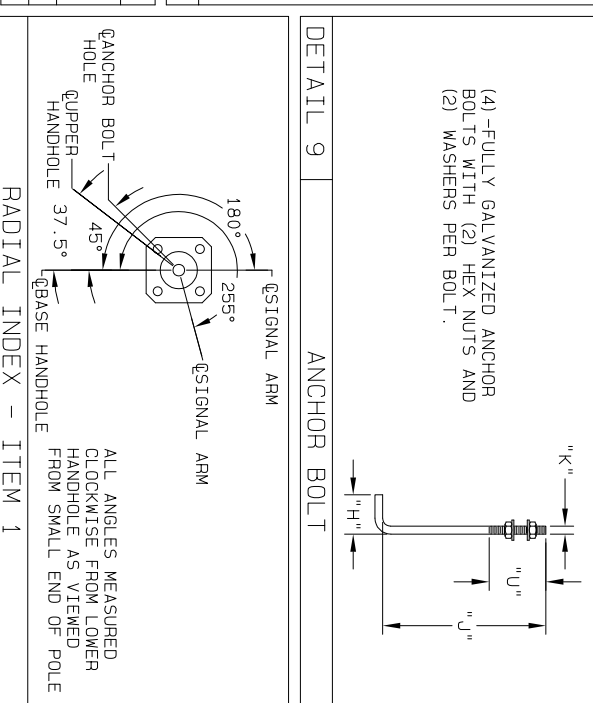
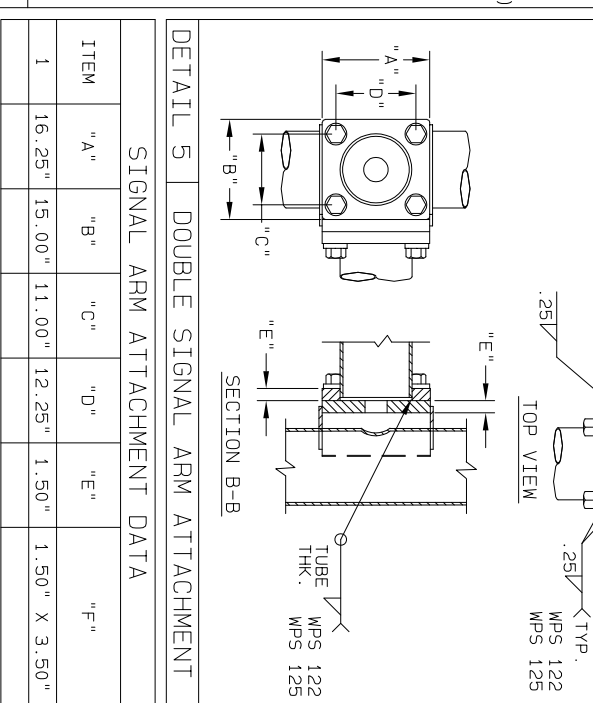
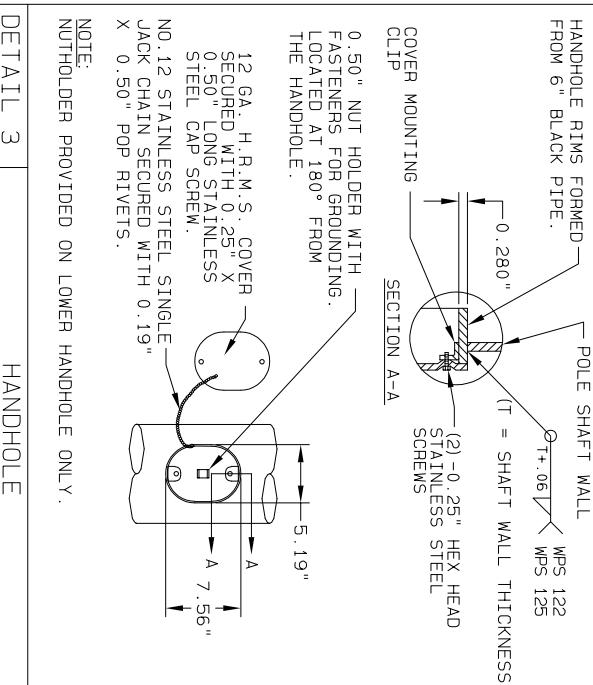


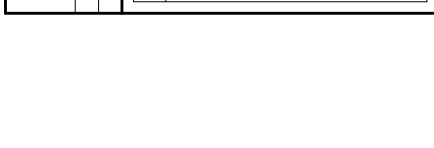
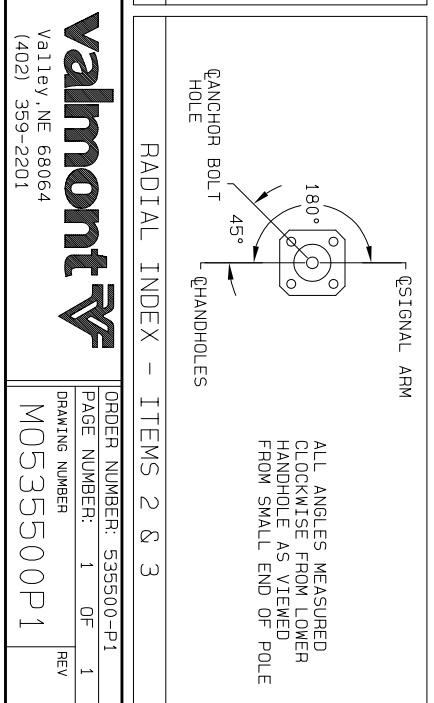
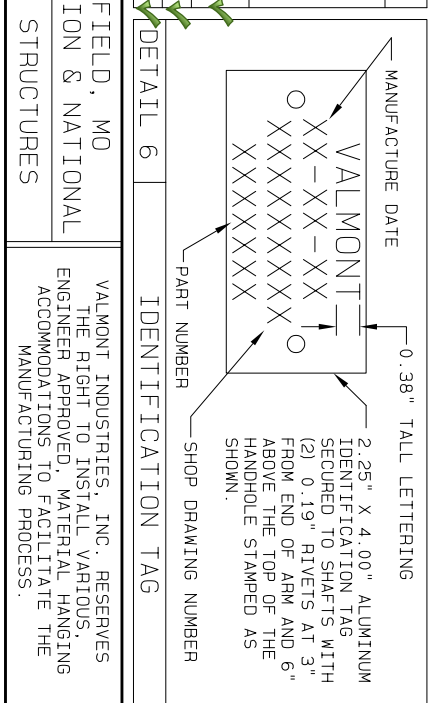
ARM SPAN "L" (FT)	FIXED END DIA. (IN)	FREE END DIA. (IN)	GA.	RISE HEIGHT "R" (FT)
15.00	4.60	2.38	11	3'-6"

COMPONENT	ASTM DESIGNATION	MIN. YIELD (KSI)	SYSTEM
TAPERED TUBES	A595 GR. A OR A572	55	GALVANIZED (GV) BASE COAT: HOT-DIP GALVANIZED TO SYSTEM: GALVANIZED (GV)
POLE BASE	A36	36	PRIME COAT: NONE FINISH COAT: NONE
SIG. ARM ATTACHMENT PLATE	A36	36	COLOR: NONE SPEC: F-1
SIG. ARM CONN. BOLTS	A325	36	
ANCHOR BOLTS	F1554 GR. 55	55	
GALVANIZING-HARDWARE	HOT DIP ZINC	--	



ITEM	QTY.	BASE DIA. (IN)	TOP DIA. (IN)	LENGTH (FT)	GAUGE OR THK. (IN)	SQUARE "S" (IN)	BOLT CIRCLE "Y" (IN)	THK. "M" (IN)	HOLE "Z" (IN)	DIA. "K" (IN)	LENGTH "J" (IN)	ANCHOR BOLT "H" (IN)	THREAD LENGTH "U" (IN)	FIXED END DIA. (IN)	FREE END DIA. (IN)	GAUGE OR THICK (IN)	SPAN (FT)	LUM. ARM SPAN (FT)
1	1	13.00	9.22	27.00	3	18.50	17.50	1.50	2.00	1.75	88.00	6.00	8.00	10.00	5.10	7	35.00	15.00
2	2	12.00	8.22	27.00	7	17.50	16.50	1.50	1.75	1.50	73.00	6.00	7.50	9.00	4.80	7	30.00	15.00
3	1	13.00	9.22	27.00	3	18.50	17.50	1.50	2.00	1.75	88.00	6.00	8.00	11.00	4.70	7	45.00	15.00

ITEM	"A"	"B"	"C"	"D"	"E"	"F"
1	16.25"	15.00"	11.00"	12.25"	1.50"	1.50" X 3.50"



POLE AND SIGNAL ARM DATA

REVIEWED
By Mike Hodges at 3:46 pm, Jan 04, 2022

VALMONT INDUSTRIES, INC.
CITY OF SPRINGFIELD, MO
043-2022 DIVISION & NATIONAL
TRAFFIC SIGNAL STRUCTURES

ORDER NUMBER: 535500-P1
PAGE NUMBER: 1 OF 1
REV: M0535500P1

POSTS

Luminaire Arm Length		Type		Most Arm Length	SIGNAL SPACING					REMARKS
10'	15'	A	S	A	B	C	D	E	On Post	
	X		X	35'	7.5'	11'	11'			
			X	25'	12'	12'	-			
	X		X	30'	8.5'	5.5'	11'			
	X		X	45'	19.0'	11'	11'			
	X			30'	5.7'	10'	12.3'			
									7'	PED POST
									7' / 15'	
									15'	
									20'	RADAR POST
	4	1-25', 1-35', 1-45', AND 2-30' MAST ARMS <u>ALL MAST ARMS TO BE 20' HIGH MEASURED FROM SURFACE OF ROADWAY</u>								