



**ADDENDUM #1**  
**CITY OF SPRINGFIELD, MISSOURI**  
**DIVISION OF PURCHASES**  
**INVITATION FOR BID (IFB) #019-2023**  
**FOR:**  
**STEEL TRAFFIC POLES**

**RETURN TO:**

Morgan Blankenship, Buyer  
City of Springfield  
Division of Purchases  
218 E. Central  
Springfield, MO 65802

Date Issued: 09/30/2022  
Buyer’s Email: morgan.blankenship@springfieldmo.gov  
Telephone Number: 417-864-2079  
Fax Number: 417-864-1927  
**REVISED DUE DATE: WEDNESDAY, OCTOBER 12, 2022, AT 3:00 P.M.**

The original **Invitation for Bid #019-2023** for **STEEL TRAFFIC POLES** documents shall remain in effect except as revised by the following changes, which shall take precedence over anything to the contrary in the specifications.

The original bid document for **Invitation for Bid #019-2023** had an original closing date and time of 3:00 P.M. CST., on Tuesday, October 04, 2022. **The bid opening date has been extended until 3:00 P.M. CST., on Wednesday, October 12, 2022.**

**Please Note:** The format of this addendum document will detail questions asked, answers provided, clarifications and statements made and will be denoted as follows: Q=Question, A=Answer, C= Clarification, and S= Statement

**S:** Pricing Section 4.0 of the Bid Document is not replaced with the Revised Pricing Section 4.0 below.

**S:** Attachment 3 is hereby added to the Bid Document.

**ACKNOWLEDGEMENT**

Each bidder shall acknowledge receipt of this **Addendum #1 of Invitation for Bid #019-2023, titled STEEL TRAFFIC POLES** with his/her signature affixed hereto and shall submit this Addendum and any attachments provided herein with their original bid submittal.

**CERTIFICATION BY BIDDER:**

SIGNATURE: \_\_\_\_\_

TITLE: \_\_\_\_\_

COMPANY: \_\_\_\_\_

DATE: \_\_\_\_\_

**4.0 REVISED PRICING:**

SUBMITTED BY: \_\_\_\_\_  
 Company Name

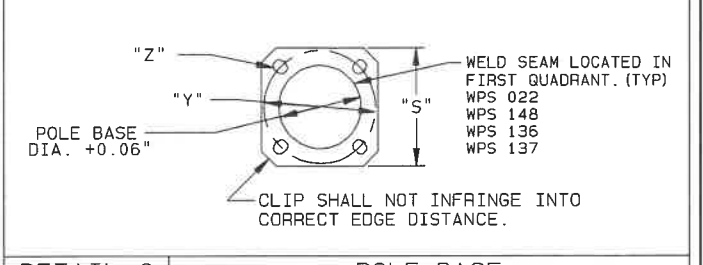
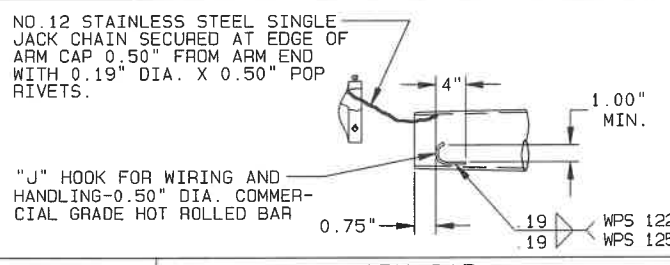
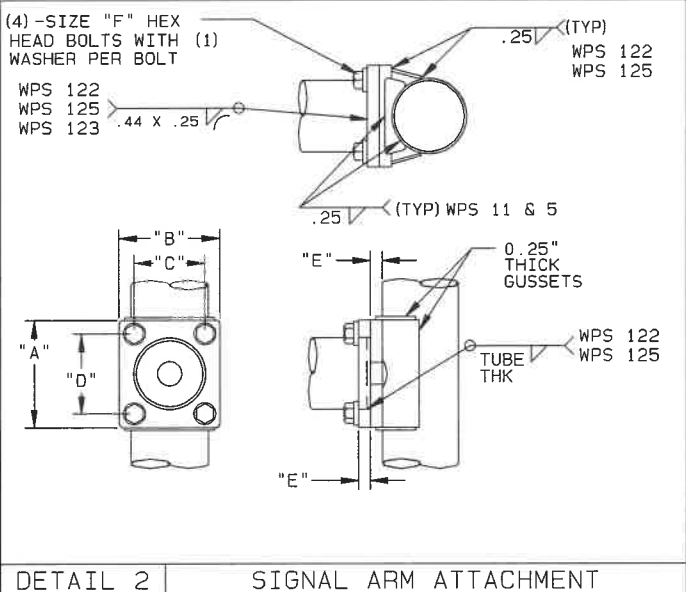
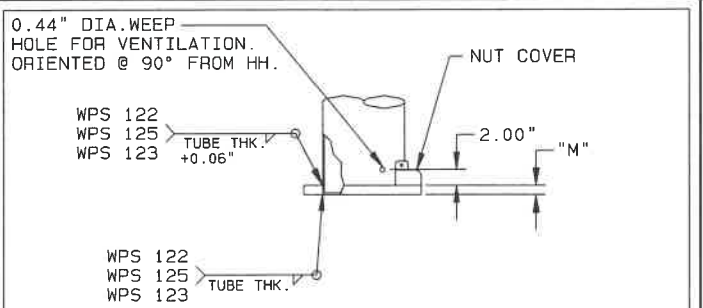
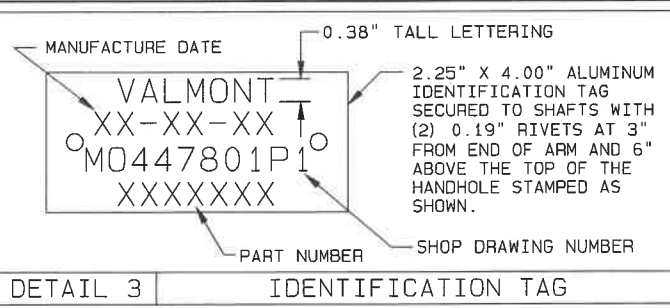
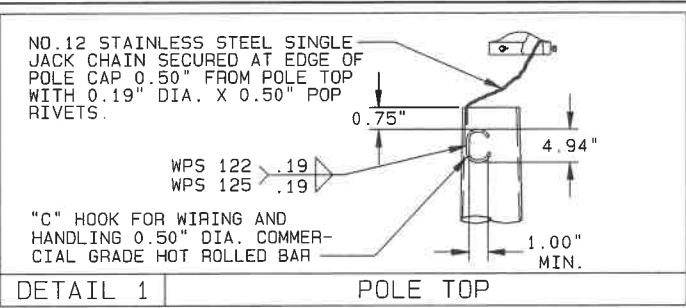
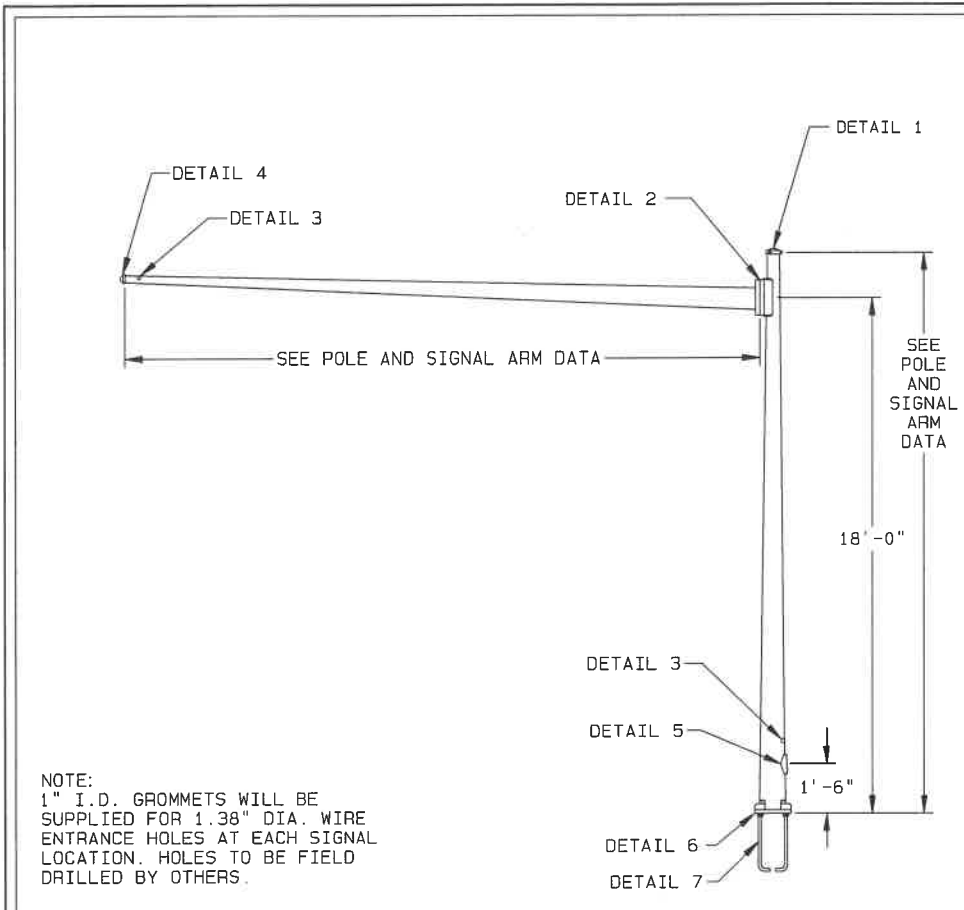
Pursuant to and in accordance with the above stated Invitation for Bid, the undersigned hereby declares that they have examined the IFB documents and specifications for the item(s) listed below.

The undersigned proposes and agrees, if their Bid is accepted to furnish the item(s) submitted below, including F.O.B delivery to Springfield, Missouri in accordance with the delivery schedule indicated below and according to the prices products/services information submitted. **All pricing shall remain firm and fixed for the contractual term.**

ITEM	QTY	DESCRIPTION	UNIT PRICE
4.1	1	<b>Steel Black Decorative Fluted Signal Pole with a 35' Mastarm at an 18' Mounting Height with 8' Luminaire at a 30' Mounting Height</b>  Mfg.: _____  Model No.: _____  Delivery: _____ calendar days after receipt of order.  SHALL WARRANTY THE ABOVE EQUIPMENT FOR PARTS, LABOR, AND TRAVEL FOR _____	\$ _____
4.2	1	<b>Steel Pole with a 45' Mastarm at a 20' Mounting Height with 15' Luminaire at a 30' Mounting Height</b>  Mfg.: _____  Model No.: _____  Delivery: _____ calendar days after receipt of order.  SHALL WARRANTY THE ABOVE EQUIPMENT FOR PARTS, LABOR, AND TRAVEL FOR _____	\$ _____
4.3		<b>Steel Black Decorative Fluted Signal Pole with a 30' Mastarm at an 18' Mounting Height</b>  Mfg.: _____  Model No.: _____  Delivery: _____ calendar days after receipt of order.  SHALL WARRANTY THE ABOVE EQUIPMENT FOR PARTS, LABOR, AND TRAVEL FOR _____	
4.4		<b>Steel Pole with a 25' Mastarm at an 18' Mounting Height with 15' Luminaire at a 30' Mounting Height</b>  Mfg.: _____  Model No.: _____  Delivery: _____ calendar days after receipt of order.  SHALL WARRANTY THE ABOVE EQUIPMENT FOR PARTS, LABOR, AND TRAVEL FOR _____	

<p>4.5</p>		<p><b>Steel Pole with a 25' Mastarm at an 18' Mounting Height</b></p> <p><b>Mfg.:</b> _____</p> <p><b>Model No.:</b> _____</p> <p><b>Delivery:</b> _____ calendar days after receipt of order.</p> <p>SHALL WARRANTY THE ABOVE EQUIPMENT FOR PARTS, LABOR, AND TRAVEL FOR _____</p>	<p>\$ _____</p>
<p>4.6</p>		<p style="text-align: right;"><b>Total for 4.1-4.5</b></p>	<p>\$ _____</p>

ATTACHMENT 3

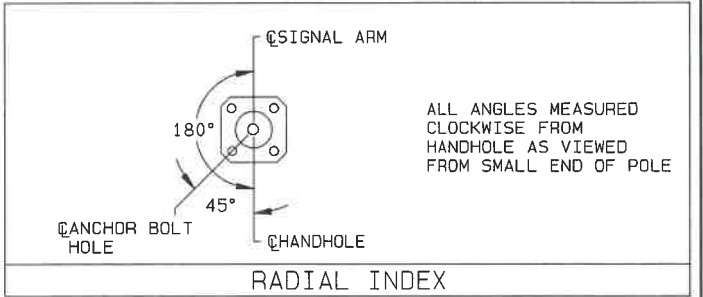
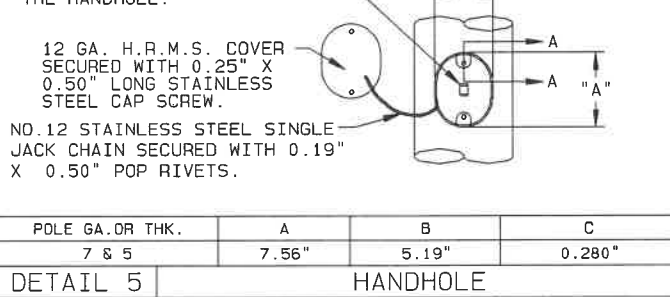
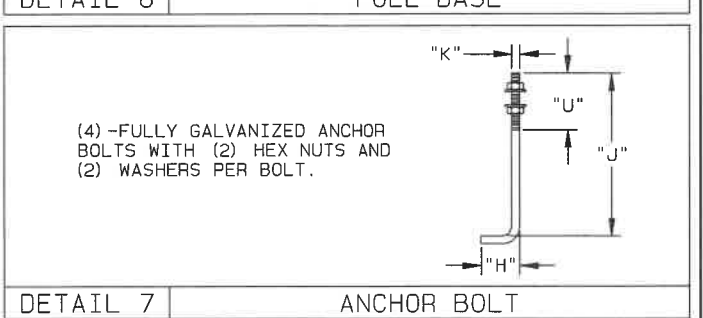
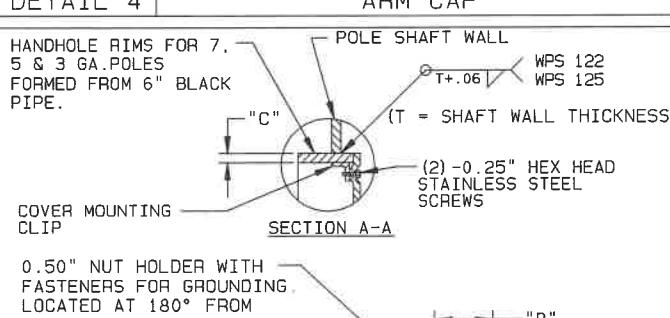


MATERIAL & FINISH DATA

COMPONENT	ASTM DESIGNATION	MIN. YIELD (KSI)	SYSTEM:
TAPERED TUBES	A595 GR.A OR A572	55	GALVANIZED (GV)
POLE BASE	A36	36	HOT-DIP GALVANIZED TO
SIGNAL ARM ATTACH. PLATE	A36	36	ASTM A123
SIGNAL ARM CONN. BOLTS	A325	--	PRIME COAT: NONE
ANCHOR BOLTS	F1554 GR.55	55	FINISH COAT: NONE
GALVANIZING-HARDWARE	HOT DIP ZINC	--	COLOR: NONE
			SPEC: F-1

SIGNAL ARM ATTACHMENT DATA

ITEM	"A"	"B"	"C"	"D"	"E"	"F"
1	12.50"	10.50"	6.75"	8.75"	1.25"	1.25" X 3.25"
2	13.00"	11.50"	7.75"	9.25"	1.25"	1.25" X 3.25"
3	14.00"	12.75"	9.00"	10.25"	1.50"	1.25" X 3.50"



ALTHOUGH RARE, VIBRATIONS SEVERE ENOUGH TO CAUSE DAMAGE CAN OCCASIONALLY OCCUR IN STRUCTURES OF ALL TYPES. BECAUSE THEY ARE INFLUENCED BY MANY INTERACTING VARIABLES, VIBRATIONS ARE GENERALLY UNPREDICTABLE. THE USER'S MAINTENANCE PROGRAM SHOULD INCLUDE OBSERVATION FOR EXCESSIVE VIBRATION AND EXAMINATION FOR ANY STRUCTURAL DAMAGE OR BOLT LOOSENING. THE VALMONT WARRANTY SPECIFICALLY EXCLUDES FATIGUE FAILURE OR SIMILAR PHENOMENA RESULTING FROM INDUCED VIBRATION, HARMONIC OSCILLATION OR RESONANCE ASSOCIATED WITH MOVEMENT OF AIR CURRENTS AROUND THE PRODUCT.

VIBRATION DISCLAIMER

DESIGN CRITERIA:  
1994 AASHTO STANDARD SPECIFICATIONS FOR STRUCTURAL SUPPORTS FOR HIGHWAY SIGNS, LUMINAIRES AND TRAFFIC SIGNALS.

DESIGN WIND SPEED:  
90 MPH VELOCITY HAVING A 1.30 GUST FACTOR.

POLE AND SIGNAL ARM DATA

ITEM	QTY.	POLE TUBE			POLE BASE				ANCHOR BOLT				SIGNAL ARM TUBE				
		BASE DIA. (IN)	TOP DIA. (IN)	LENGTH (FT)	GAUGE OR THK. (IN)	SQUARE "S" (IN)	BOLT CIRCLE "Y" (IN)	THK. "M" (IN)	HOLE "Z" (IN)	DIA. "K" (IN)	LENGTH "J" (IN)	HOOK "H" (IN)	THREAD LENGTH (IN)	FIXED END DIA. (IN)	FREE END DIA. (IN)	GAUGE OR THICK (IN)	SPAN (FT)
1	4	11.00	8.34	19.00	7	17.50	16.50	1.50	1.75	1.50	73.00	6.00	7.50	8.00	4.50	7	25.00
2	4	12.00	9.34	19.00	7	17.50	16.50	1.50	1.75	1.50	73.00	6.00	7.50	9.00	4.80	7	30.00
3	4	12.50	9.49	21.50	5	17.50	16.50	1.50	1.75	1.50	73.00	6.00	7.50	10.00	5.10	7	35.00

APPROVED FOR FABRICATION  
TJB  
6.17.19